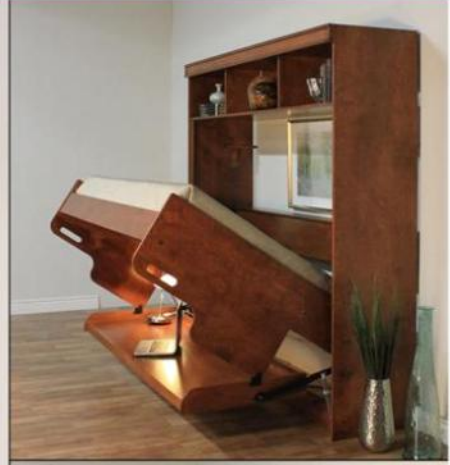
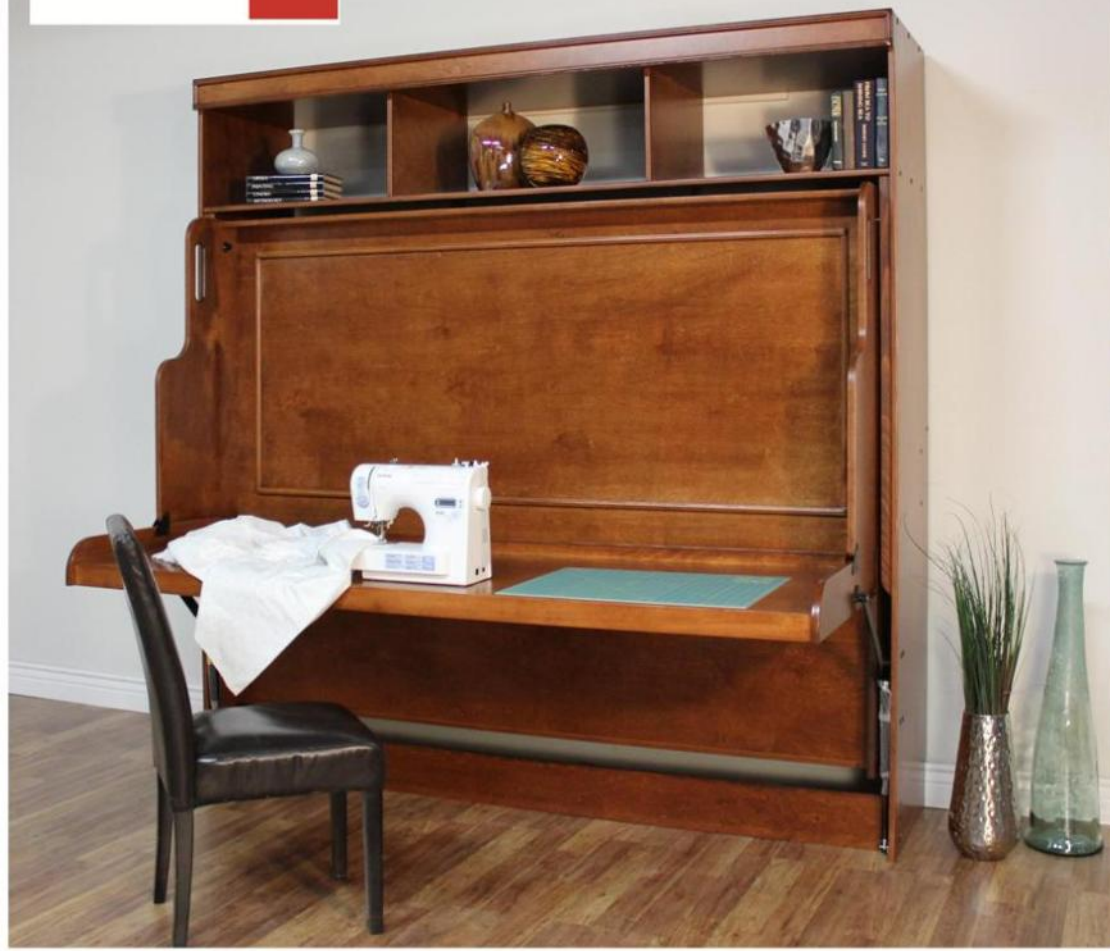


Wallbeds
"n" More

A comfortable extra
bed for any room!

HIDDENBED DELUXE WITH HUTCH



BW50-COGNAC FINISH



CARMEL



ESPRESSO

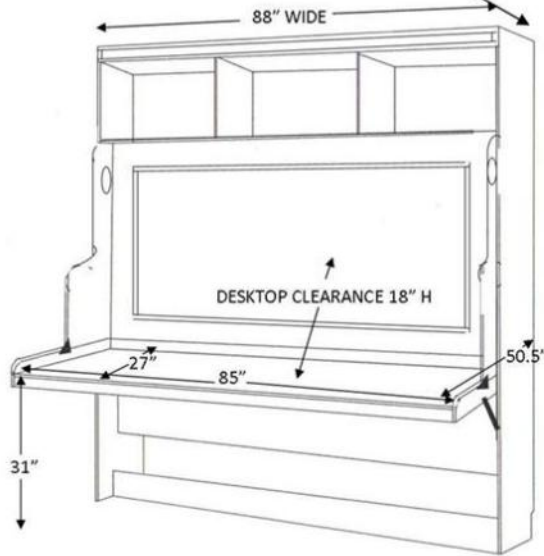
FINISH OPTIONS

- Cognac-R
- Caramel-B
- Bark Gray-BG
- Sunset-S
- Natural -N
- Maple-M
- Gray-G
- Cinnamon-E
- Espresso-D
- White-WH
- (WH 10% Up-Charge)

HARDWARE

- #2 Nickel Cup
- #3 Nickel Bar
- #4 black cup
- #10 Cody Black
- #11 Cody Nickel
- #12 Cody Bronze
- #13 Bronze Bar
- #14 Cody Gold
- #15 Bridge Black
- #16 Bridge
- Bronze
- #17 Bridge

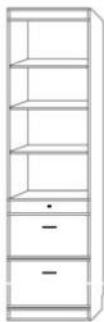
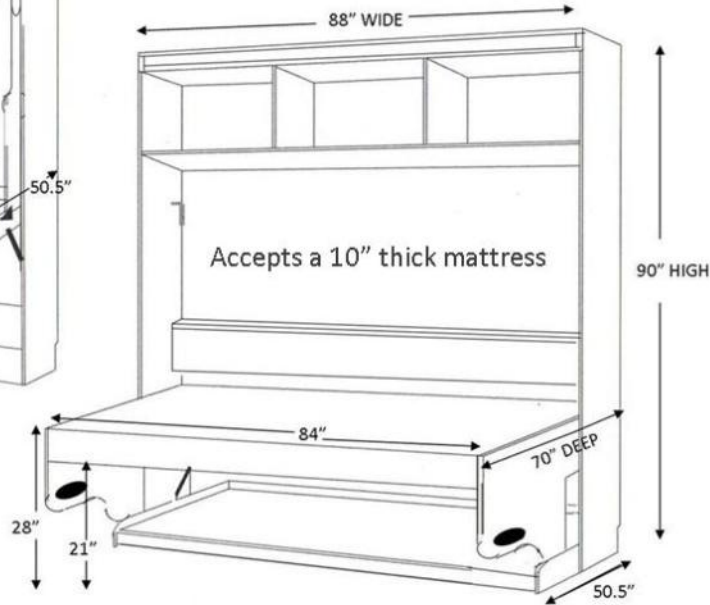
MUST BE ATTACHED THROUGH THE TOP ASSEMBLY TO THE WALL INTO 3 STUDS.



BW50 QUEEN

CLOSED -DESK- 88 x 50.5 x 90
OPEN -BED- 88 x 70 x 90

Accepts up to a 10" thick mattress



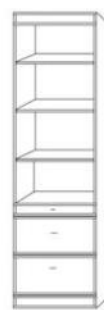
FILE PENCIL DRAWER

- BLFS 16 X 85 _____
- BLQS 16 X 90 _____
- BPLF 24 X 85 _____
- BPLQ 24 X 90 _____



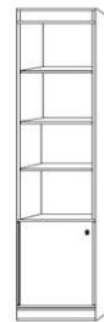
3 DRAWER

- BTFS 16 X 85 _____
- BTQS 16 X 90 _____
- BPTF 24 X 85 _____
- BPTQ 24 X 90 _____
- BPGF 32 X 85 _____
- BPGQ 32 X 90 _____



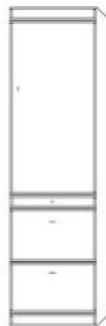
2 DRAWER TRAY

- BNFS 16 X 85 _____
- BNQS 16 X 90 _____
- BPNF 24 X 85 _____
- BPNQ 24 X 90 _____



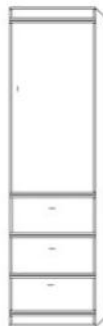
OPEN DOOR

- BDFS 16 X 85 _____
- BDQS 16 X 90 _____
- BPCF 24 X 85 _____
- BPCQ 24 X 90 _____



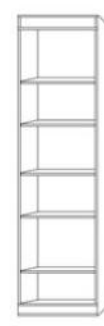
2 FILES-PENCIL-DOOR

- BXFS 16 X 85 _____
- BXQS 16 X 90 _____
- BPXF 24 X 85 _____
- BPXQ 24 X 90 _____



3 DRAWER-DOOR

- BWFS 16 X 85 _____
- BWQS 16 X 90 _____
- BPWF 24 X 85 _____
- BPWQ 24 X 90 _____



BOOKCASE

- BBFS 16 X 85 _____
- BBQS 16 X 90 _____
- BPBF 24 X 85 _____
- BPBQ 24 X 90 _____

FILE CART

BFC _____
16.5 x 21.5 x 28



DESK CART

DC _____

63 x 21.78 x 31 1/2"

